

## LED Wall Washer

Outdoor wall washer is a common outdoor lighting equipment, mainly used to illuminate building exterior walls or landscape walls. It has a waterproof and dustproof design and can adapt to harsh external environments while providing good lighting and decorative effects. Illuminate the outline or details of the building's exterior wall to highlight the beauty and three-dimensionality of the building.

# XQ26F LED Wall Washer



## Electrical & output data

Item No.	Power	Color	LED Qty	Control method
XQ26FW48D2	12W	White	48*0.25W	CN/OFF
XQ26FW48D2	15W	White	48*0.3W	CN/OFF
XQ26FF48D2	12W	RGB	48*0.25W	DMX512
XQ26FF48D2	15W	RGBW	48*0.3W	DMX512

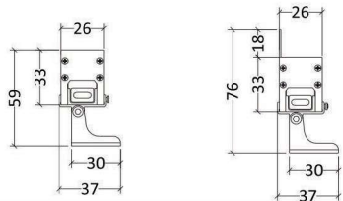
## Installation Indication

Residential buildings, commercial properties, office buildings, museums, religious buildings, industrial parks, bridges, villas, parks, etc.

Voltage	DC24V
Size	L1000*W26*H59mm
Housing Material	AL6063+Tempered Glass
Warranty	5 Years
Beam Angle	30°/45°/20*40°
CRI	>80
SDCM	<5
Ambient temperature	Tamin=-20 °C , Tamax=55 °C
Luminous efficiency	WHITE 80lm/w ,RGBW 40lm/w
RH	30~80%



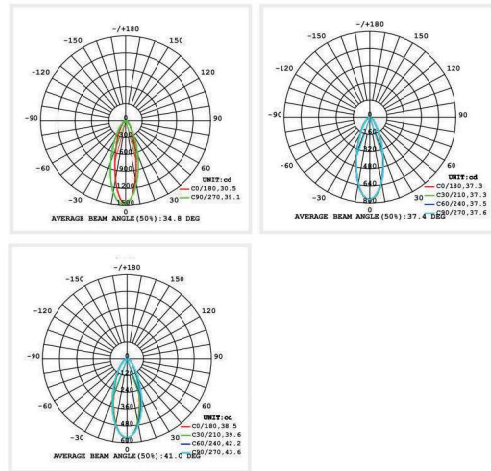
## Dimension



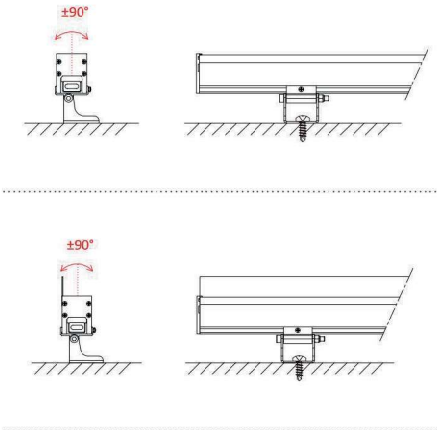
## Product Features

- ※ Double-layer waterproof, IP66 grade;
- ※ The lamp body is made of high-strength 6063 aluminum alloy, with good thermal conductivity and excellent heat dissipation;
- ※ Adopt high-quality optical lens, the light output is uniform and accurate;
- ※ Adopt high-quality LED, high color rendering high brightness and uniform color;
- ※ Surface treatment Aksu powder; and high-quality spraying process, corrosion resistance, no discoloration;
- ※ Waterproof male and female connectors, rubber wire, simple wiring;
- ※ Standard DMX512 protocol, strong compatibility;
- ※ Conventional length 1M, 0.5M, 0.3M, other sizes can be customized.

## Distribution curve flux



## Install Node



# XQ28 LED Wall Washer



## Electrical & output data

Item No.	Power	Color	LED Qty	Control method
XQ28W24D2	24W	White	24*1W	ON/OFF
XQ28F24D2	24W	RGBW	18*1.5W	DMX512

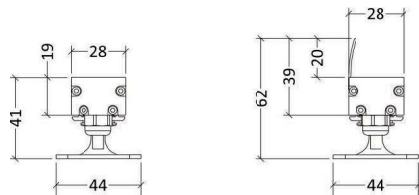
## Installation Indication

Residential buildings, commercial properties, office buildings, museums, religious buildings, industrial parks, bridges, villas, parks, etc.

Voltage	DC24V
Size	L1000*W28*H41mm
Housing Material	AL6063+Tempered Glass
Warranty	5 Years
Beam Angle	20°/30°/45°/20*40°
CRI	>80
SDCM	<5
Ambient temperature	Tamin=-20 °C , Tamax=55 °C
Luminous efficiency	WHITE 80lm/w ,RGBW 40lm/w
RH	30~80%



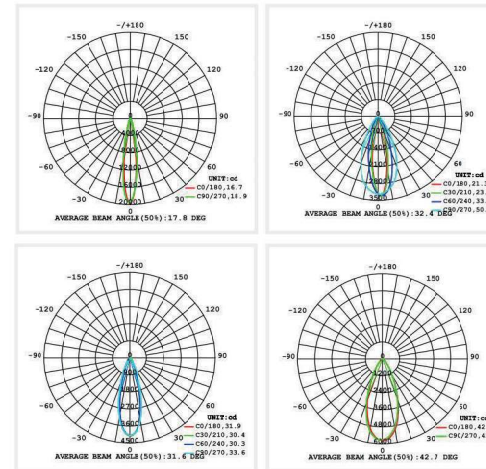
## Dimension



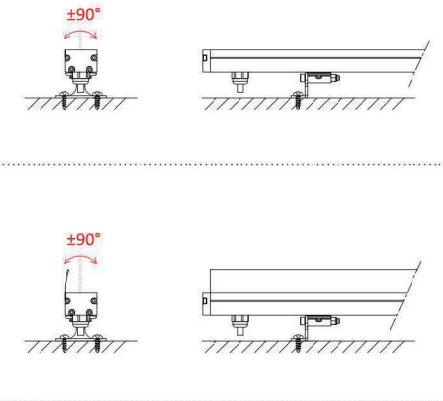
## Product Features

- ※ Double-layer waterproof, IP66 grade;
- ※ The lamp body is made of high-strength 6063 aluminum alloy, with good thermal conductivity and excellent heat dissipation;
- ※ Adopt high-quality optical lens, the light output is uniform and accurate;
- ※ Adopt high-quality LED, high color rendering, high brightness and uniform color;
- ※ Surface treatment Aksu powder; and high-quality spraying process, corrosion resistance, no discoloration;
- ※ Waterproof male and female connectors, rubber wire, simple wiring;
- ※ Standard DMX512 protocol, strong compatibility;
- ※ Conventional length 1M, 0.5M, 0.3M, other sizes can be customized.

## Distribution curve flux



## Install Node



# XQ35 LED Wall Washer



## Electrical & output data

Item No.	Power	Color	LED Qty	Control method
XQ35W24D2	24W	White	24*1W	ON/OFF
XQ35W30D2	30W	White	30*1W	ON/OFF
XQ35F18D2	24W	RGBW	18*1.5W	DMX512
XQ35F24D2	35W	RGBW	24*1.5W	DMX512

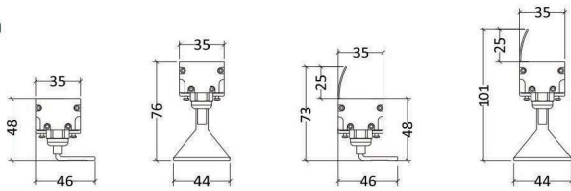
## Installation Indication

Residential buildings, commercial properties, office buildings, museums, religious buildings, industrial parks, bridges, villas, parks, etc.

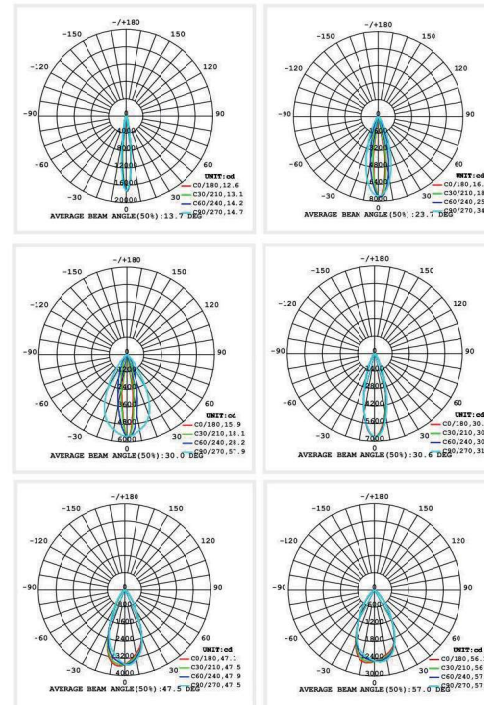
Voltage	DC24V
Size	L1000*W35*H48mm
Housing Material	AL6063+Tempered Glass
Warranty	5 Years
Beam Angle	15°/30°/45°/60°/15*25°/10*60°/15*35°
CRI	>80
SDCM	<5
Ambient temperature	Tamin=-20 °C , Tamax=55 °C
Luminous efficiency	WHITE 80lm/w ,RGBW 40lm/w
RH	3C~80%



## Dimension



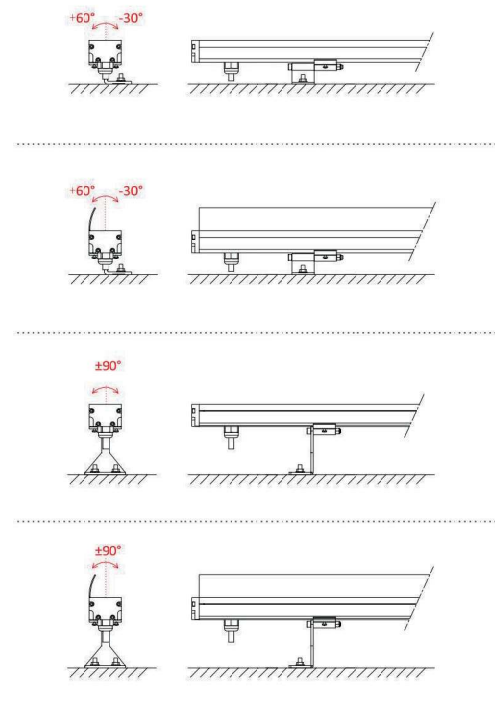
## Distribution curve flux



## Product Features

- ※ Double-layer waterproof, IP66 grade;
- ※ The lamp body is made of high-strength 6063 aluminum alloy, with good thermal conductivity and excellent heat dissipation;
- ※ Adopt high-quality optical lens, the light output is uniform and accurate;
- ※ Adopt high-quality LED, high color rendering high brightness and uniform color;
- ※ Surface treatment Aksu powder; and high-quality spraying process, corrosion resistance, no discoloration;
- ※ Waterproof male and female connectors, rubber wire, simple wiring;
- ※ Standard DMX512 protocol, strong compatibility;
- ※ Conventional length 1M, 0.5M, 0.3M, other sizes can be customized.

## Install Node



# XQ45 LED Wall Washer



## Electrical & output data

Item No.	Power	Color	LED Qty	Control method
XQ45W36D2	36W	White	36*1W	ON/OFF
XQ45F24D2	36W	RGB	24*1.5W	DMX512
XQ45F24D2	48W	RGBW	24*2W	DMX512

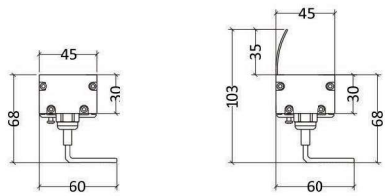
## Installation Indication

Residential buildings, commercial properties, office buildings, museums, religious buildings, industrial parks, bridges, villas, parks, etc.

Voltage	DC24V/AC110~240V
Size	L1000-W45*H68mm
Housing Material	AL6063+Tempered Glass
Warranty	5 Years
Beam Angle	15°/30°/45°/60°/15°25°/10°60°/15°35°
CRI	>80
SDCM	<5
Ambient temperature	Tamin=-20 °C , Tamax=55 °C
Luminous efficiency	WHITE 80lm/w ,RGBW 40lm/w
RH	30~80%



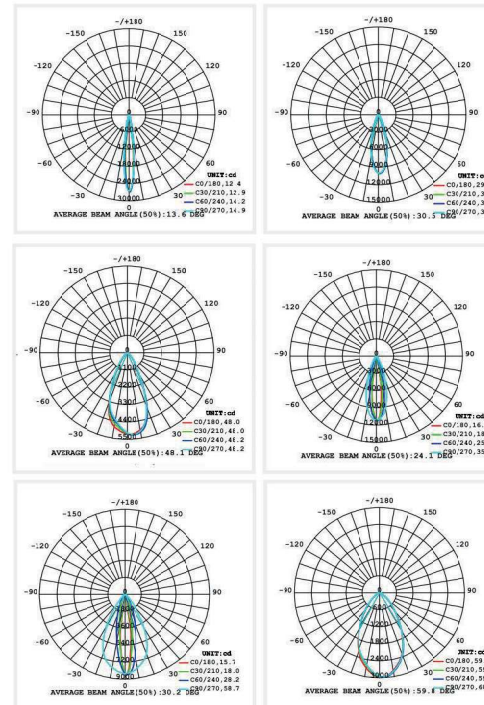
## Dimension



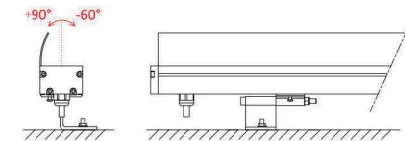
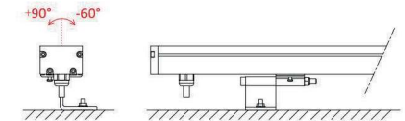
## Product Features

- ※ Double-layer waterproof, IP66 grade;
- ※ The lamp body is made of high-strength 6063 aluminum alloy, with good thermal conductivity and excellent heat dissipation;
- ※ Adopt high-quality optical lens, the light output is uniform and accurate;
- ※ Adopt high-quality LED, high color rendering high brightness and uniform color;
- ※ Surface treatment Aksu powder; and high-quality spraying process, corrosion resistance, no discoloration;
- ※ Waterproof male and female connectors, rubber wire, simple wiring;
- ※ Standard DMX512 protocol, strong compatibility;
- ※ Conventional length 1M, 0.5M, 0.3M, other sizes can be customized.

## Distribution curve flux



## Install Node



# XQ56 LED Wall Washer



## Electrical & output data

Item No.	Power	Color	LED Qty	Control method
XQ56W36D2	72W	White	36*2W	ON/OFF
XQ56F24D2	48W	RGB	24*2W	DMX512
XQ56F24D2	72W	RGBW	24*3W	DMX512

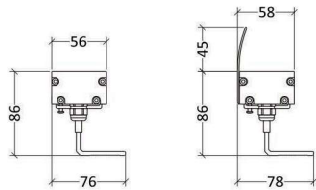
## Installation Indication

Residential buildings, commercial properties, office buildings, museums, religious buildings, industrial parks, bridges, villas, parks, etc.

Voltage	DC24V/AC110~240V
Size	L1000*W56*H86mm
Housing Material	AL6063+Tempered Glass
Warranty	5 Years
Beam Angle	15°/30°/45°/60°/15*25°/10*60°/15*35°
CRI	>80
SDCM	<5
Ambient temperature	Tamin=-20 °C , Tamax=55 °C
Luminous efficiency	WHITE 80lm/w ,RGBW 40lm/w
RH	3C~80%



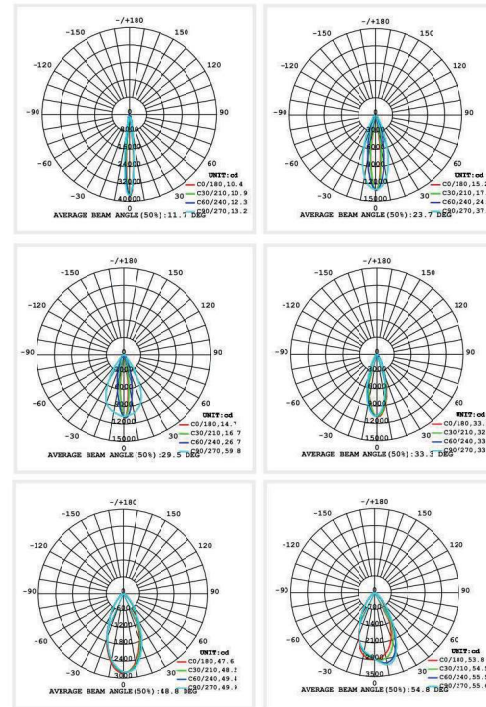
## Dimension



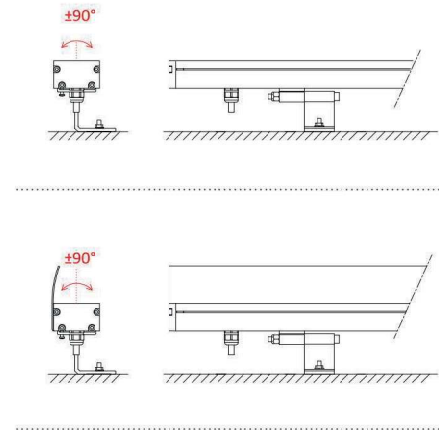
## Product Features

- ※ Double-layer waterproof, IP66 grade;
- ※ The lamp body is made of high-strength 6063 aluminum alloy, with good thermal conductivity and excellent heat dissipation;
- ※ Adopt high-quality optical lens, the light output is uniform and accurate;
- ※ Adopt high-quality LED, high color rendering high brightness and uniform color;
- ※ Surface treatment Aksu powder; and high-quality spraying process, corrosion resistance, no discoloration;
- ※ Waterproof male and female connectors, rubber wire, simple wiring;
- ※ Standard DMX512 protocol, strong compatibility;
- ※ Conventional length 1M, 0.5M, 0.3M, other sizes can be customized.

## Distribution curve flux



## Install Node



# XQ30 LED Wall Washer



## Electrical & output data

Item No.	Power	Color	LED Qty	Control method
XQ30W24D2	24W	White	24*1W	ON/OFF
XQ30F24D2	24W	RGBW	18*1.5W	DMX512
XQ30F36D2	36W	RGBW	18*2W	DMX512

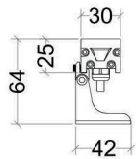
## Installation Indication

Residential buildings, commercial properties, office buildings, museums, religious buildings, industrial parks, bridges, villas, parks, etc.

Voltage	DC24V/AC110~240V
Size	L1000*W30*H64mm
Housing Material	AL6063+Tempered Glass
Warranty	5 Years
Beam Angle	20°/30°/45°/20*40°
CRI	>80
SDCM	<5
Ambient temperature	Tamin=-20 °C , Tamax=55 °C
Luminous efficiency	WHITE 80lm/w ,RGBW 40lm/w
RH	3C~80%



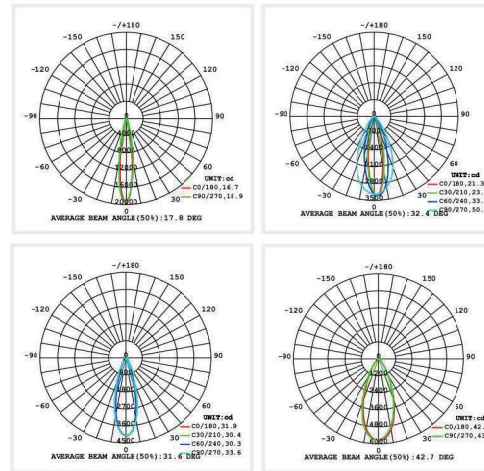
## Dimension



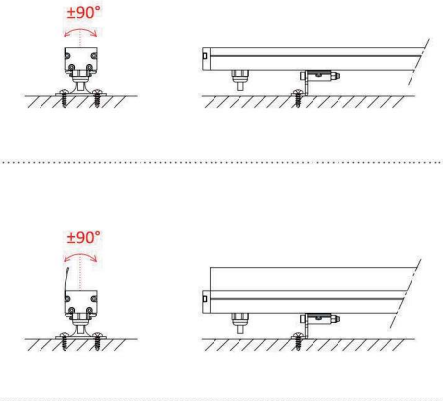
## Product Features

- ※ Double-layer waterproof, IP66 grade;
- ※ The lamp body is made of high-strength 6063 aluminum alloy, with good thermal conductivity and excellent heat dissipation;
- ※ Adopt high-quality optical lens, the light output is uniform and accurate;
- ※ Adopt high-quality LED, high color rendering, high brightness and uniform color;
- ※ Surface treatment Aksu powder; and high-quality spraying process, corrosion resistance, no discoloration;
- ※ Waterproof male and female connectors, rubber wire, simple wiring;
- ※ Standard DMX512 protocol, strong compatibility;
- ※ Conventional length 1M, 0.5M, 0.3M, other sizes can be customized.

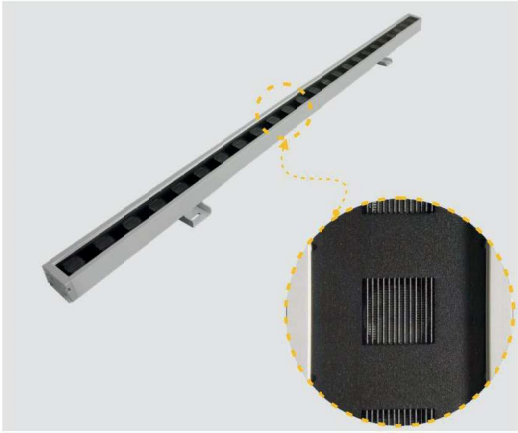
## Distribution curve flux



## Install Node



# XQ40 LED Wall Washer



## Electrical & output data

Item No.	Power	Color	LED Qty	Control method
XQ40W24D2	36W	White	24*1.5W	CN/OFF
XQ40F24D2	36W	RGB	24*2W	DMX512
XQ40F24D2	48W	RGBW	24*2W	DMX512

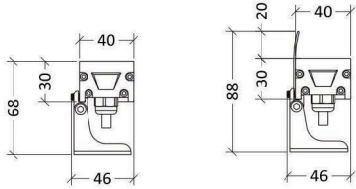
## Installation Indication

Residential buildings, commercial properties, office buildings, museums, religious buildings, industrial parks, bridges, villas, parks, etc.

Voltage	DC24V/AC110~240V
Size	L1000*W40*H68mm
Housing Material	AL6063+Tempered Glass
Warranty	5 Years
Beam Angle	15°/30°/55°/60°/15°25°/10°60°/15°35°/15°60°
CRI	>80
SDCM	<5
Ambient temperature	Tamin=-20 °C , Tamax=55 °C
Luminous efficiency	WHITE 80lm/w ,RGBW 40lm/w
RH	3C~80%



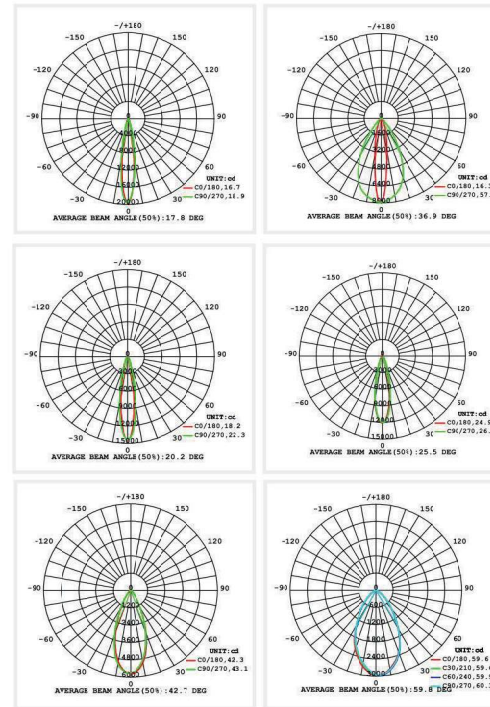
## Dimension



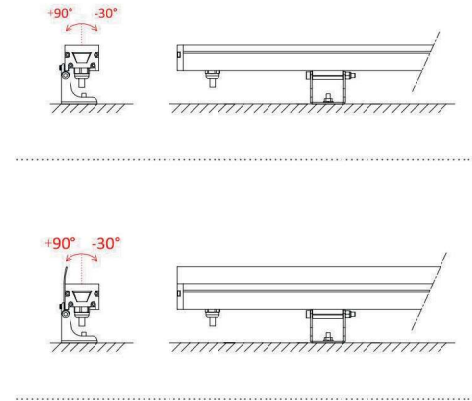
## Product Features

- ※ Double-layer waterproof, IP66 grade;
- ※ The lamp body is made of high-strength 6063 aluminum alloy, with good thermal conductivity and excellent heat dissipation;
- ※ Adopt high-quality optical lens, the light output is uniform and accurate;
- ※ Adopt high-quality LED, high color rendering, high brightness and uniform color;
- ※ Surface treatment Aksu powder; and high-quality spraying process, corrosion resistance, no discoloration;
- ※ Waterproof male and female connectors, rubber wire, simple wiring;
- ※ Standard DMX512 protocol, strong compatibility;
- ※ Conventional length 1M, 0.5M, 0.3M, other sizes can be customized.

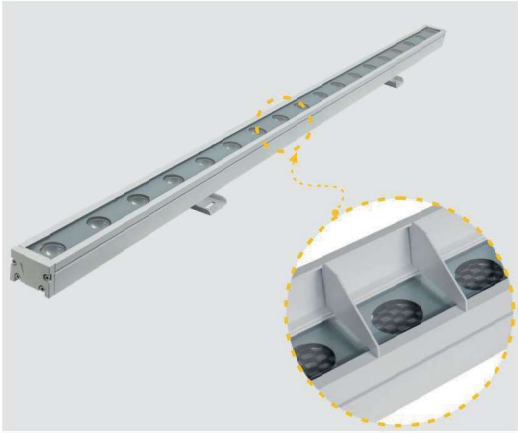
## Distribution curve flux



## Install Node



# XQ40A LED Wall Washer



## Electrical & output data

Item No.	Power	Color	LED Qty	Control method
XQ40AW36D2	36W	White	36*1W	CN/OFF
XQ40AF24D2	48W	RGBW	24*2W	DMX512
XQ40AW36A4	36W	White	36*1W	CN/OFF
XQ40AF36A4	48W	RGBW	24*2W	DMX512

## Installation Indication

Residential buildings, commercial properties, office buildings, museums, religious buildings, industrial parks, bridges, villas, parks, etc.

Voltage	DC24V/AC110~240V
Size	L1000*W40*H68mm
Housing Material	AL6063+Tempered Glass
Warranty	5 Years
Beam Angle	15°/30°/45°/60°/15*25°/10*60°/15*35°
CRI	>80
SDCM	<5
Ambient temperature	Tamin=-20 °C , Tamax=55 °C
Luminous efficiency	WHITE 80lm/w ,RGBW 40lm/w
RH	3C~80%



One bin



Class III



High Grayscale



Class I



IP66



DALI/O-10V

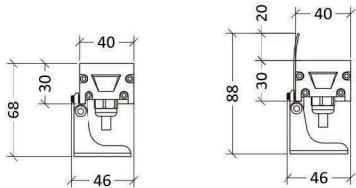


Outdoor



IK 06

## Dimension



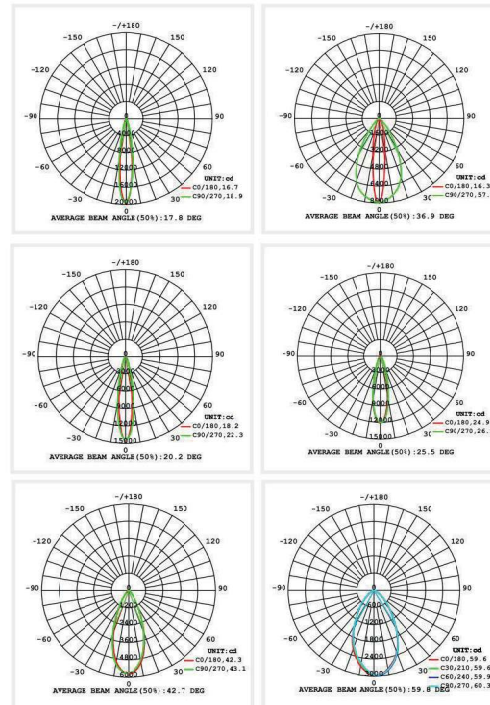
www.ILF.com.SA



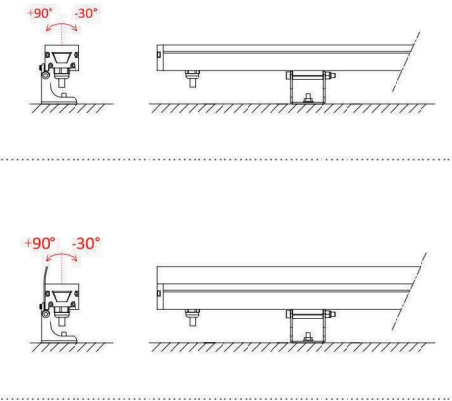
## Product Features

- ※ Double-layer waterproof, IP66 grade;
- ※ The lamp body is made of high-strength 6063 aluminum alloy, with good thermal conductivity and excellent heat dissipation;
- ※ Adopt high-quality optical lens, the light output is uniform and accurate;
- ※ Adopt high-quality LED, high color rendering, high brightness and uniform color;
- ※ Surface treatment Aksu powder; and high-quality spraying process, corrosion resistance, no discoloration;
- ※ Waterproof male and female connectors, rubber wire, simple wiring;
- ※ Standard DMX512 protocol, strong compatibility;
- ※ Conventional length 1M, 0.5M, 0.3M, other sizes can be customized.

## Distribution curve flux



## Install Node



www.ILF.com.SA

# XQ50 LED Wall Washer



## Electrical & output data

Item No.	Power	Color	LED Qty	Control method
XQ50W36D2	72W	White	36*2W	CN/OFF
XQ50F24D2	72W	RGBW	24*3W	DMX512
XQ50W36A4	72W	White	36*2W	CN/OFF
XQ50F24A4	72W	RGBW	24*3W	DMX512

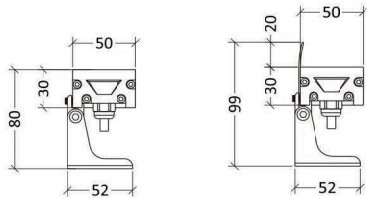
## Installation Indication

Residential buildings, commercial properties, office buildings, museums, religious buildings, industrial parks, bridges, villas, parks, etc.

Voltage	DC24V/AC110~240V
Size	L1000*W50*H80mm
Housing Material	AL6063+Tempered Glass
Warranty	5 Years
Beam Angle	15°/30°/45°/60°/15*25°/10*60°/15*35°
CRI	>80
SDCM	<5
Ambient temperature	Tamin=-20 °C , Tamax=55 °C
Luminous efficiency	WHITE 80lm/w ,RGBW 40lm/w
RH	3C~80%



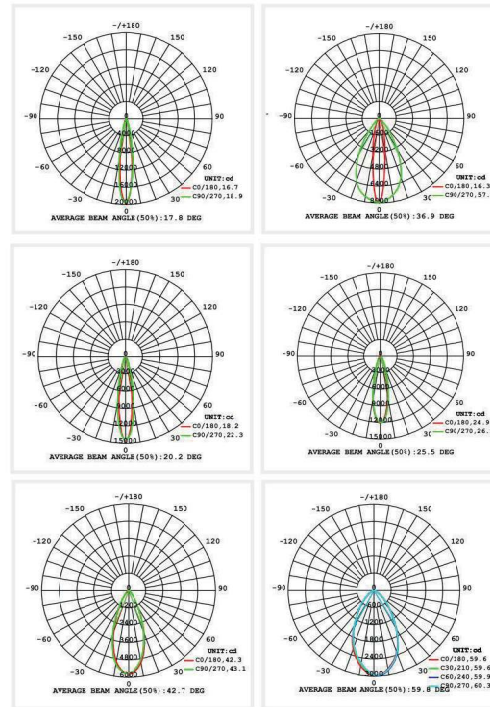
## Dimension



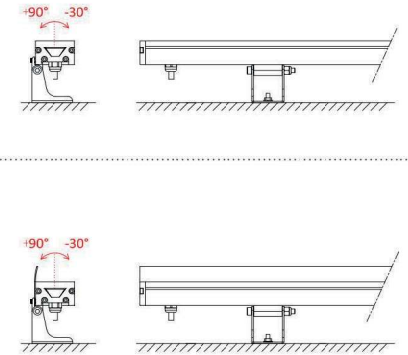
## Product Features

- ※ Double-layer waterproof, IP66 grade;
- ※ The lamp body is made of high-strength 6063 aluminum alloy, with good thermal conductivity and excellent heat dissipation;
- ※ Adopt high-quality optical lens, the light output is uniform and accurate;
- ※ Adopt high-quality LED, high color rendering, high brightness and uniform color;
- ※ Surface treatment Aksu powder; and high-quality spraying process, corrosion resistance, no discoloration;
- ※ Waterproof male and female connectors, rubber wire, simple wiring;
- ※ Standard DMX512 protocol, strong compatibility;
- ※ Conventional length 1M, 0.5M, 0.3M, other sizes can be customized.

## Distribution curve flux



## Install Node



# XQ63 LED Wall Washer



## Electrical & output data

Item No.	Power	Color	LED Qty	Control method
XQ63W24D2	84W	White	24*3.5W	CN/OFF
XQ63F24D2	95W	RGBW	24*4W	DMX512
XQ63W24A4	84W	White	24*3.5W	CN/OFF
XQ63F24DA4	95W	RGBW	24*4W	DMX512

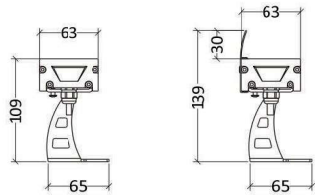
## Installation Indication

Residential buildings, commercial properties, office buildings, museums, religious buildings, industrial parks, bridges, villas, parks, etc.

Voltage	DC24V/AC110~240V
Size	L1000*W63*H109mm
Housing Material	AL6063+Tempered Glass
Warranty	5 Years
Beam Angle	15°/30°/45°/60°/15*25°/10*60°/15*35°
CRI	>80
SDCM	<5
Ambient temperature	Tamin=-20 °C , Tamax=55 °C
Luminous efficiency	WHITE 80lm/w ,RGBW 40lm/w
RH	30~80% <sup>2</sup>



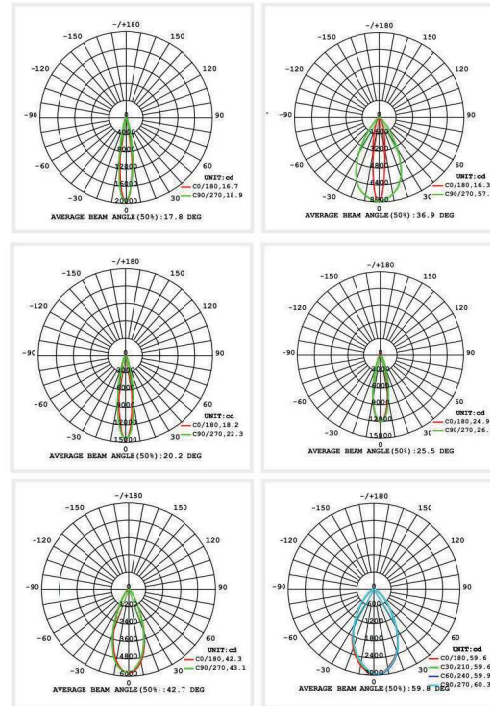
## Dimension



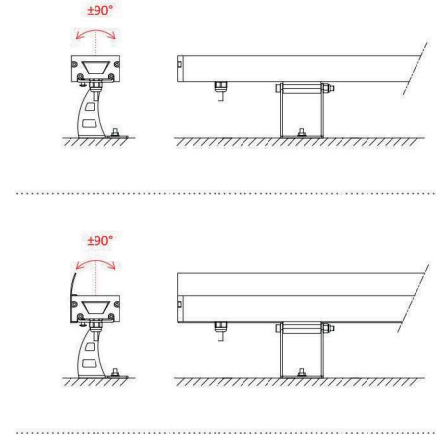
## Product Features

- ※ Double-layer waterproof, IP66 grade;
- ※ The lamp body is made of high-strength 6063 aluminum alloy, with good thermal conductivity and excellent heat dissipation;
- ※ Adopt high-quality optical lens, the light output is uniform and accurate;
- ※ Adopt high-quality LED, high color rendering high brightness and uniform color;
- ※ Surface treatment Aksu powder; and high-quality spraying process, corrosion resistance, no discoloration;
- ※ Waterproof male and female connectors, rubber wire, simple wiring;
- ※ Standard DMX512 protocol, strong compatibility;
- ※ Conventional length 1M, 0.5M, 0.3M, other sizes can be customized.

## Distribution curve flux



## Install Node



# XQ80 LED Wall Washer



## Electrical & output data

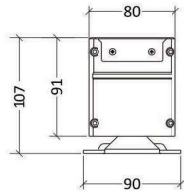
Item No.	Pcwer	Color	LED Qty	Control method
XQ80W40A4	120W	White	40*3W	CN/OFF
XQ80F40A4	120W	RGBW	40*3W	DMX512

## Installation Indication

Residential buildings, commercial properties, office buildings, museums, religious buildings, industrial parks, bridges, villas, parks, etc.

Voltage	DC24V/AC110~240V
Size	L1000*W80*H107mm
Housing Material	AL6063+Tempered Glass
Warranty	5 Years
Beam Angle	5°/30°/5+12°
CRI	>80
SDCM	<5
Ambient temperature	T <sub>amin</sub> = -20 °C , T <sub>amax</sub> =55 °C
Luminous efficiency	WHITE 80lm/w ,RGBW 40lm/w
RH	30~80%

## Dimension



One bin



Class III



High Grayscale



Class I



IP66



DALI/O~10V



Outdoor



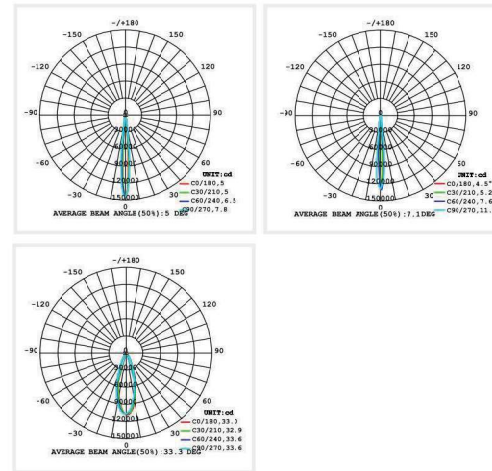
IK 06



## Product Features

- ※ Double-layer waterproof, IP66 grade;
- ※ The lamp body is made of high-strength 6063 aluminum alloy, with good thermal conductivity and excellent heat dissipation;
- ※ Adopt high-quality optical lens, the light output is uniform and accurate;
- ※ Adopt high-quality LED, high color rendering, high brightness and uniform color;
- ※ Surface treatment Aksu powder; and high-quality spraying process, corrosion resistance, no discoloration;
- ※ Waterproof male and female connectors, rubber wire, simple wiring;
- ※ Standard DMX512 protocol, strong compatibility;
- ※ Conventional length 1M, 0.5M, 0.3M, other sizes can be customized.

## Distribution curve flux



## Install Node

